

Innocard

Minerva

GCE36-1001

External Mini SAS HD 4x (SFF-8644) Cable



External Mini SAS HD 4x (SFF-8644) Cable



1000 ± 20 mm

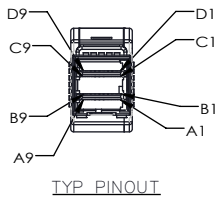
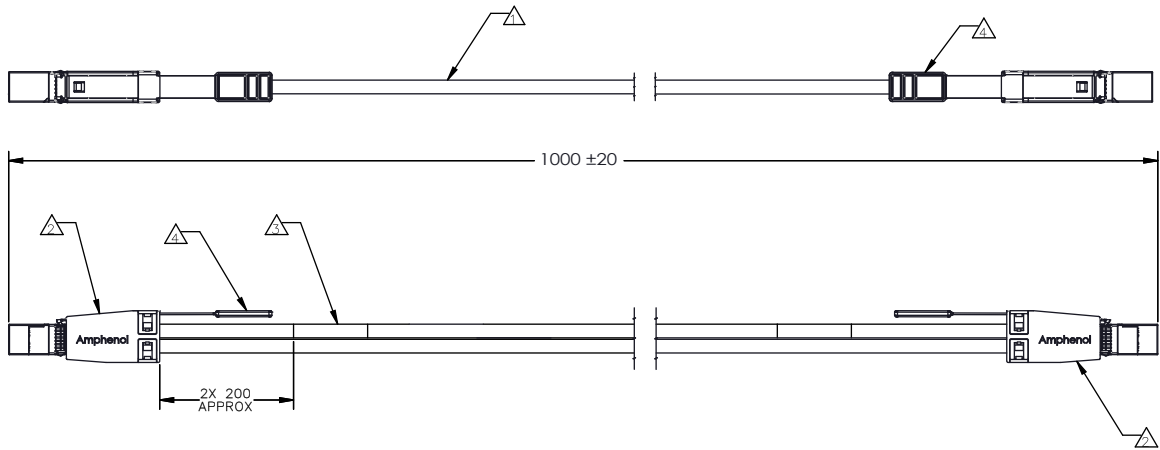


TABLE 2

ITEM No.	DESCRIPTION
1	30 AWG, 4P+4C, BLACK PVC, CL2 FT4 75°C
2	PLUG, HDMSAS – REFERENCE SFF-8644
3	LABEL, WRAPPED – P/N & REV, DATE CODE, COUNTRY OF ORIGIN AND SERIAL NUMBER
4	LANYARD, HDMSAS, GREEN, UL 94V-0

External Mini SAS HD 4x (SFF-8644) Cable

Pin-out assignment

